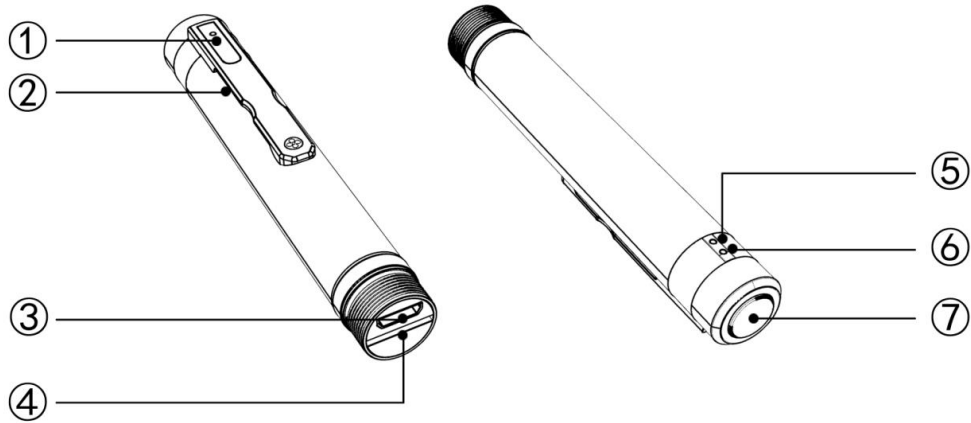




# **zPen-1080**

## **Hidden Camera Pen**

USER MANUAL



**1. Camera**

**4. MicroSD card slot**

**6. Indicator Light**

**2. Microphone**


**5. Reset Switch**

**7. Function button**

**3. USB Port**

### **Charging:**

First unscrew the bottom half of the pen off, then connect the pen to a USB charger using the included USB cable. Plug the small end of the USB cable to the USB port ④. The indicator light ⑥ will flash on and off during charging and then will stay on solid once the battery is fully charged.

It is recommended to use an AC wall to USB adapter of at least 1000mAh for faster charge. If charging using a USB port of a computer, please ensure the computer is on or that the port is a power exclusive USB port. Look for the charge symbol ⚡ near the USB symbol 

### **Power Up:**

Press and hold the function button ⑦, and the camera starts when the indicator light ⑥ comes up, it should flash once and then it will enter standby mode.

### **Snaping Photos:**

From the stand by mode, quickly press the function button ⑦, you should see the indicator light flash red once ⑥, and a photo is snapped.

### **Recording Videos:**

During standby mode, press and hold the function button ⑦, wait for the light indicator to start flashing red ⑥ before releasing the button. The light indicator will go out during recording. Stop the recording by quickly pressing the function button again.

Note: The camera device records video in 3 minutes long file segments. Once memory is full new video recordings will start replacing oldest files.

### **Shutting Down:**

Press and hold the function button ⑦ for more than 3 seconds to shut down the camera device. The camera will go off when the lights go out.

### **Media Playback:**

To view the recorded media, you can connect the pen directly to your computer's USB port using the included USB cable, or use a MicroSD card adapter to connect the MicroSD memory card directly to the computer. Your computer should automatically prompt you to review the media or browse the files.

To playback the videos we recommend using VLC player which can be downloaded for free: <http://videolan.org>

### **Webcam:**

If you want to use the pen as a webcam on your computer, simply power it up before connecting it to the computer. Your computer should automatically detect a new camera. A webcam software is required to use the webcam.

## Date-Time Stamp:

To change or remove the date-time imprinted on the video or photos, please use the zUtilityApp software that can be downloaded from our website. Once installed, choose the pen from the items menu and follow the instructions by the wizard.

<https://www.zetronix.com/download>



<b>Item</b>	<b>Parameters</b>
Video Format	AVI
Video Coding	M-JPEG
Video Resolution	1920 * 1080
Video Frame Rate	30fps
Photo	12,000,000 pixels(4032*3024)
Image Format	JPG
Image Scale	4:3
Resolution of PC camera	320*240
Video Play Software	Included in OS or use current video play software